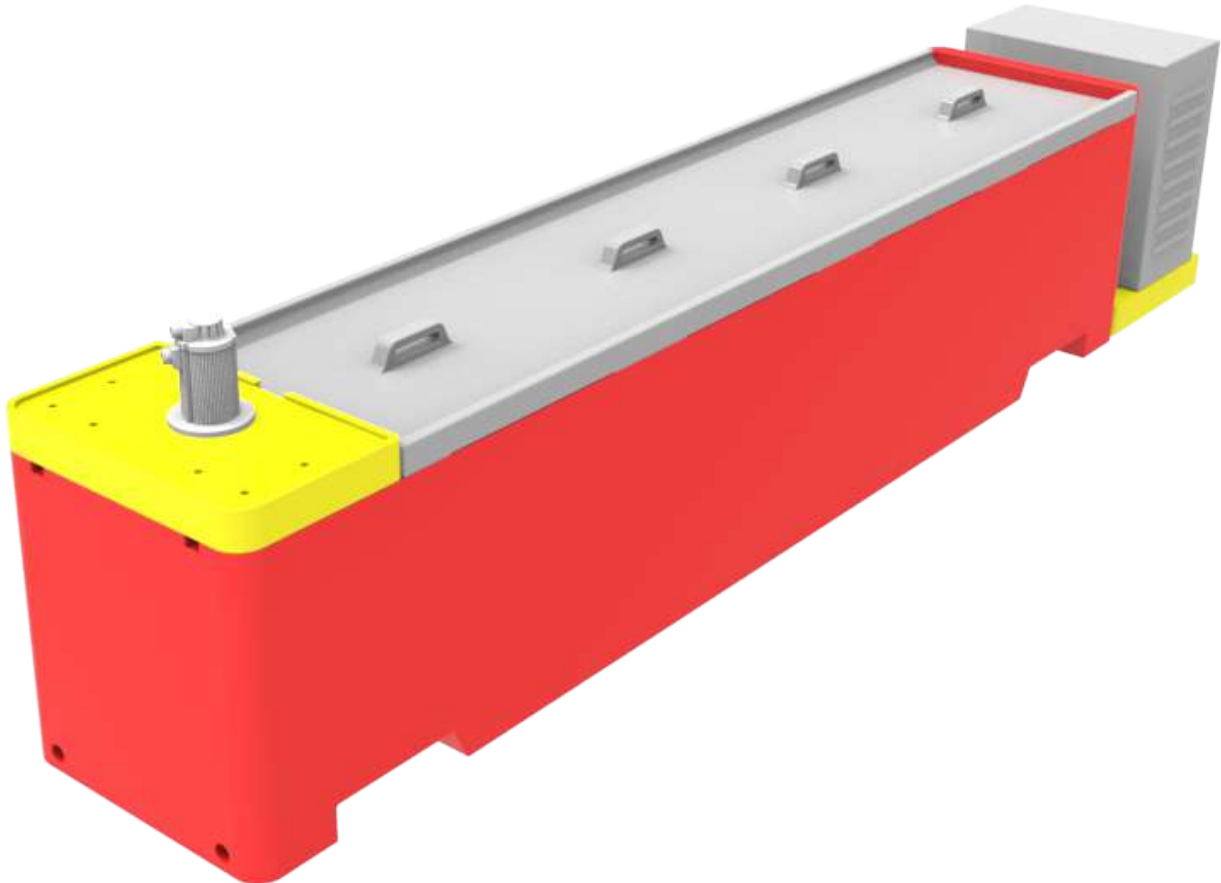




ISO 9001-2015
Certified Company

Seaplast[®]
BUILT TO LAST

SI-CMS24



YOUR PRODUCT DESERVES THE BEST

Candymaker is used in ice-cream industry for making ice candies, milk candies and ice blocks.

Seaplast™ Candy Maker system revolutionary the process from the traditional method used in candy making. It provides you a durable solution for your requirements, capable of making more candies with lesser time. Also due to use of our sturdy tub, it has easy maintenance so that you can focus on running your business efficiently.

SI-CMS24



Pallet for mounting



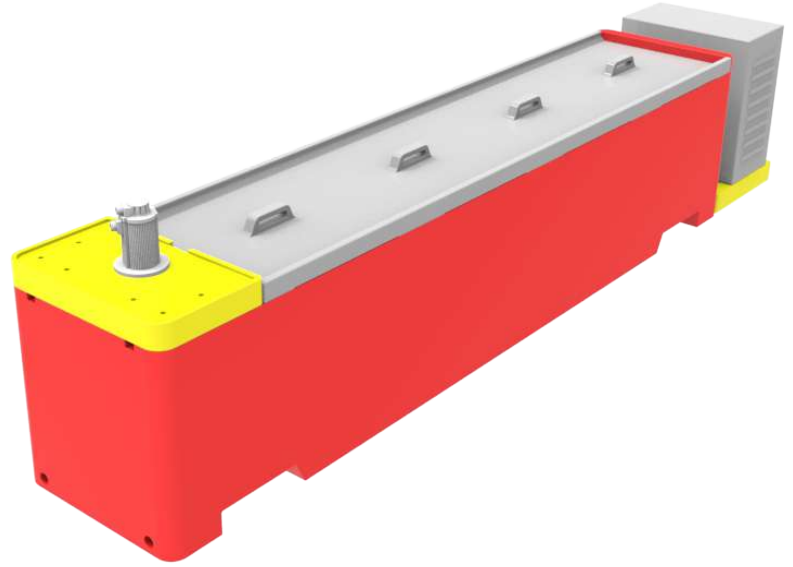
With Electric Panel



Drainage Facility



Motor with Gear Box



Technical Specification

- Tecumseh / Emerson or equivalent compressor with 404A refrigerant
- Option of semi Hermetic compressor is also available
- Brine solution of normal salt, calcium chloride or glycol can be used in our candy maker.

Features

- Molded seamless insulated container with Insulated lid
- 100% Food grade virgin raw material
- CFC free polyurethane
- Anti-corrosion
- Easy to clean and hygienic
- No welded joints when compared to SS Tank
- Zero chances of leakage
- Drain out facility
- Long holding time
- Better output then conventional refrigeration system
- Movable metal frame stand with castor wheels
- Energy saving
- Temperature pull down capacity up to -28 deg C to -30 deg C at 45 deg C ambient conditions
- Inner and outer wall made of PE and PUR insulation
- Better wall thickness
- Less weight compared to SS and wooden tank
- Agitation facility to maintain uniform temperature throughout the tank with gear box
- Less noise and vibration
- 100% Copper pipe with heavy gauge

Dimension Details

Model	External Dimension (mm)			Mold Space Area		Power
	L	W	H	L	W	Consumption
SI-CMS24	6220	1200	1350	3600	690	6.5 Unit / Hour

Colors Available*: ●

Dealer/Distributor

Seoplast (India) Pvt. Ltd.

Reg. Office: B-212, Ratnaakar Nine Square, Opp. Keshavbaug Party Plot, Mansi Road Vastrapur, Ahmedabad - 380 015, Gujarat, India. CIN No : U25201GJ1996PTC031114 Tel: +91 79 4007 3880, Email: sales@seoplastindia.com, Website: www.seoplastindia.com

Factory Address: Survey No: 1658, B/H Gayatri Temple, Gandhinagar - Mansa Road Mansa, Gujarat, India, 382 845. Tel No : +91 2763 272 873 / 271 158

North India Depot: Block A-134 & 135, Sena Nagar, Dhulkot, Ambala City - 134 003 Haryana, India. Tel: +91 72 9415 5120, Email: ambala.depot@seoplastindia.com



Toll Free: 1800 123 55 8585