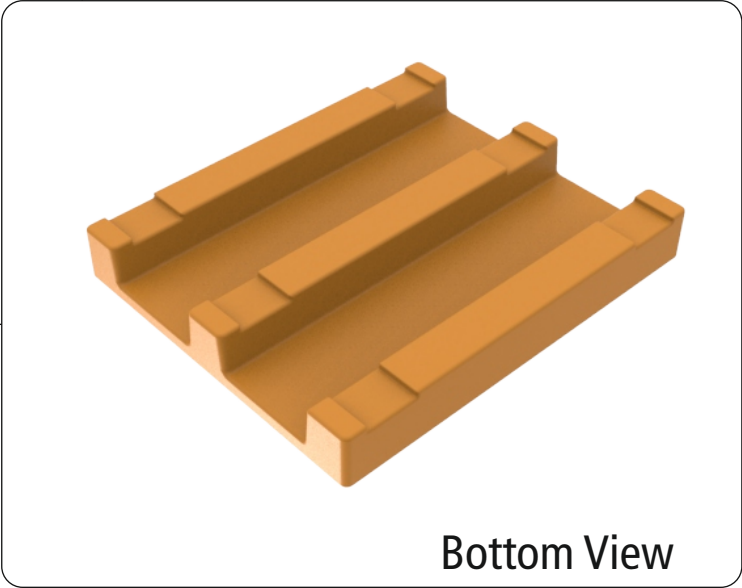
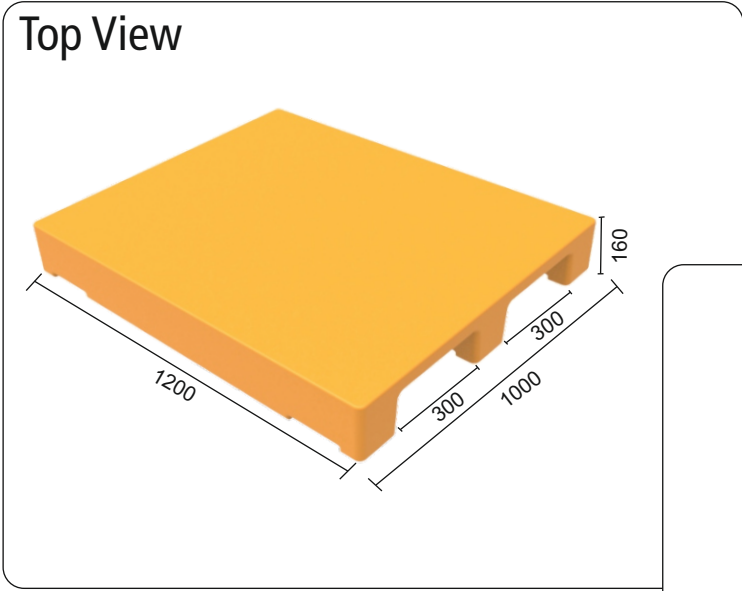




ISO 9001-2015
Certified Company

SI-1012-PTPS3L2W



SI-1012-PTPS3L2W		Size in mm		
Model Name	SI-1012-PTPS3L2W			
Dimensions (LWH)	1000 x 1200 x 160			
Description	Plain Top, Puff and Steel 3 Leg, 2 Way Entry with Rack Lock			
Fork Entry Side	1000			
Load	Static	Dynamic	Racking	
	✓	✓	✓	

Load bearing capacity				In Kg.
Loads	Option-A	Option-B	Option-C	
Static	2000 Kg	3000 Kg	4000 Kg	
Racking	1000 Kg	1500 Kg	2000 Kg	
Dyanamic	500 Kg	1000 Kg	1500 Kg	

Available Variant	
Option-1	PE + PUR
Option-2	PE + Steel Reinforcement + PUR

Colors Available*: ● ● ● ● ● ● ● ● ● ● ● ●

Dealer/Distributor

Seaplast (India) Pvt. Ltd.
Reg. Office: B-212, Ratnaakar Nine Square, Opp. Keshavbaug Party Plot, Mansi Road Vastrapur, Ahmedabad - 380 015, Gujarat, India. CIN No : U25201GJ1996PTC031114
 Tel: +91 79 4007 3880, Email: sales@seaplastindia.com, Website: www.seaplastindia.com
Factory Address: Survey No: 1658, B/H Gayatri Temple, Gandhinagar - Mansa Road Mansa, Gujarat, India, 382 845. Tel No : +91 2763 272 873 / 271 158
North India Depot: Block A-134 & 135, Sena Nagar, Dhulkot, Ambala City - 134 003 Haryana, India. Tel: +91 72 9415 5120, Email: ambala.depot@seaplastindia.com
Toll Free: 1800 123 55 8585

*Terms and Condition Apply